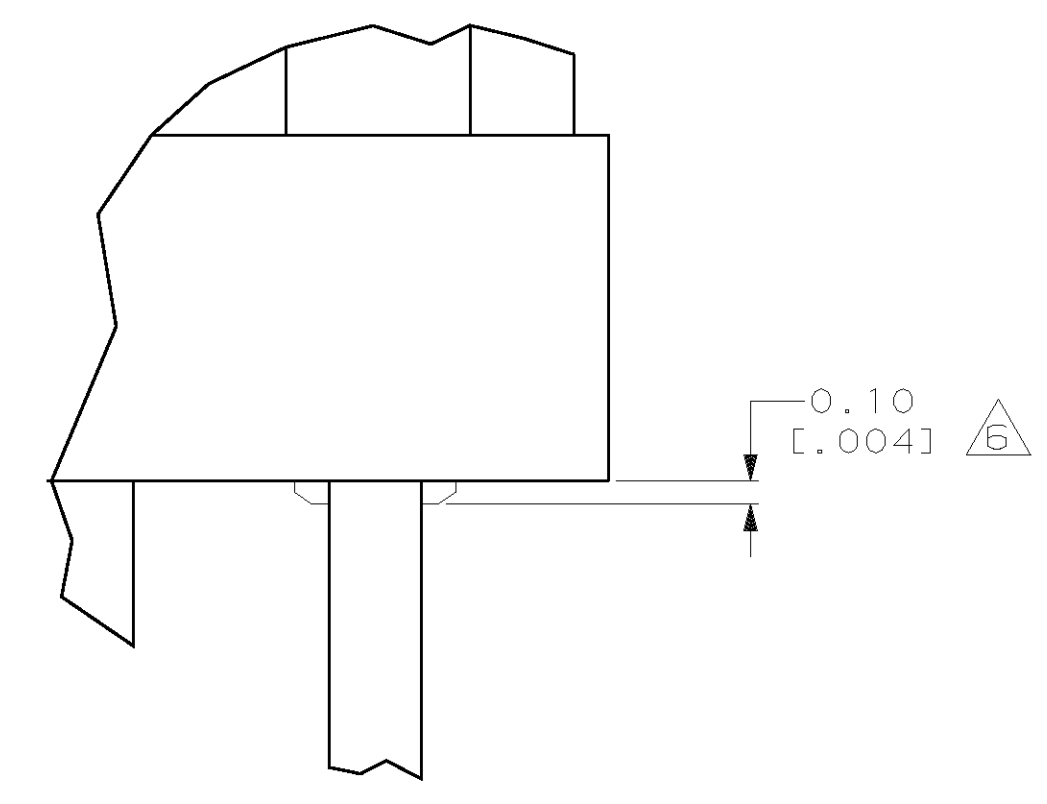
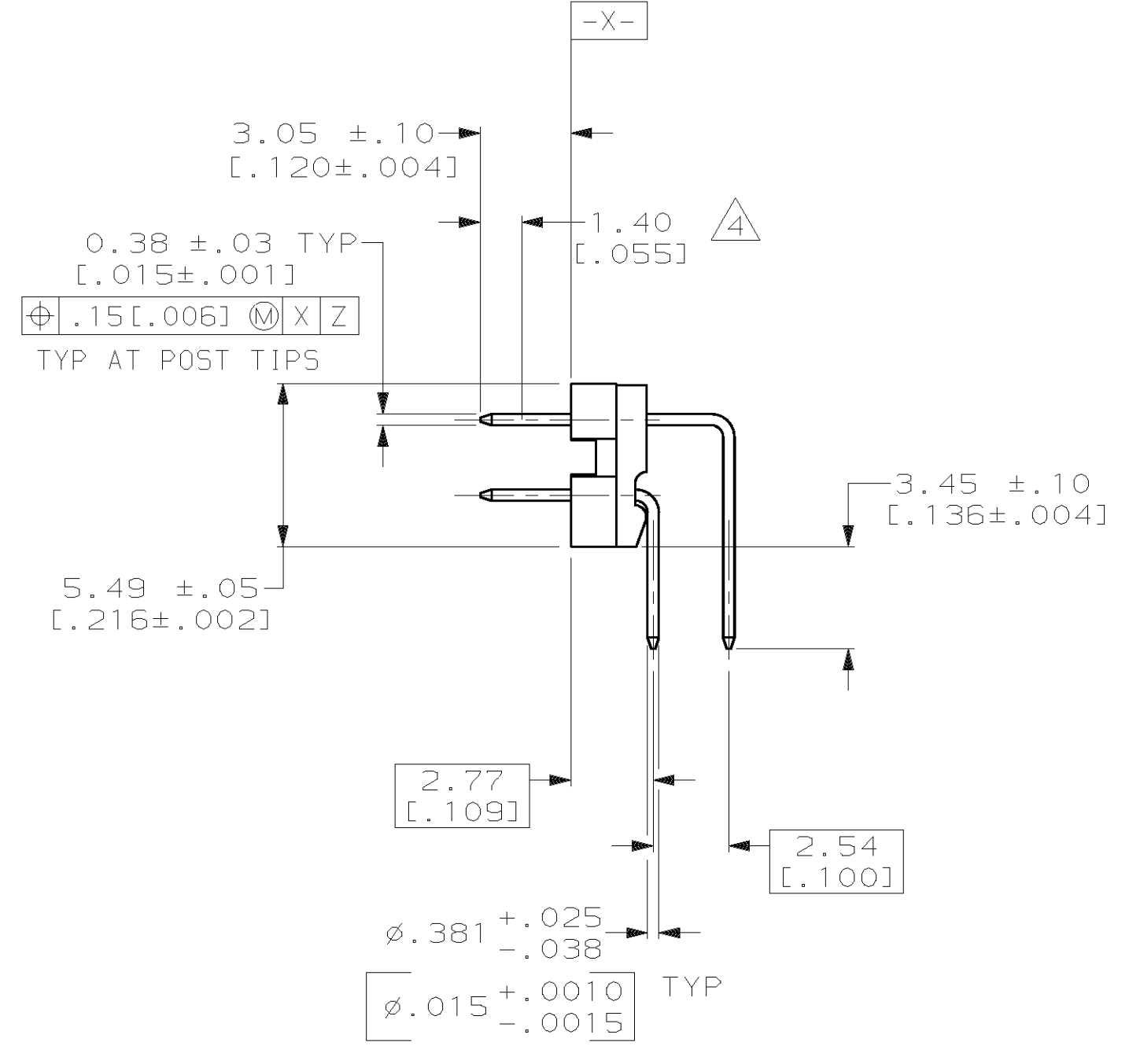
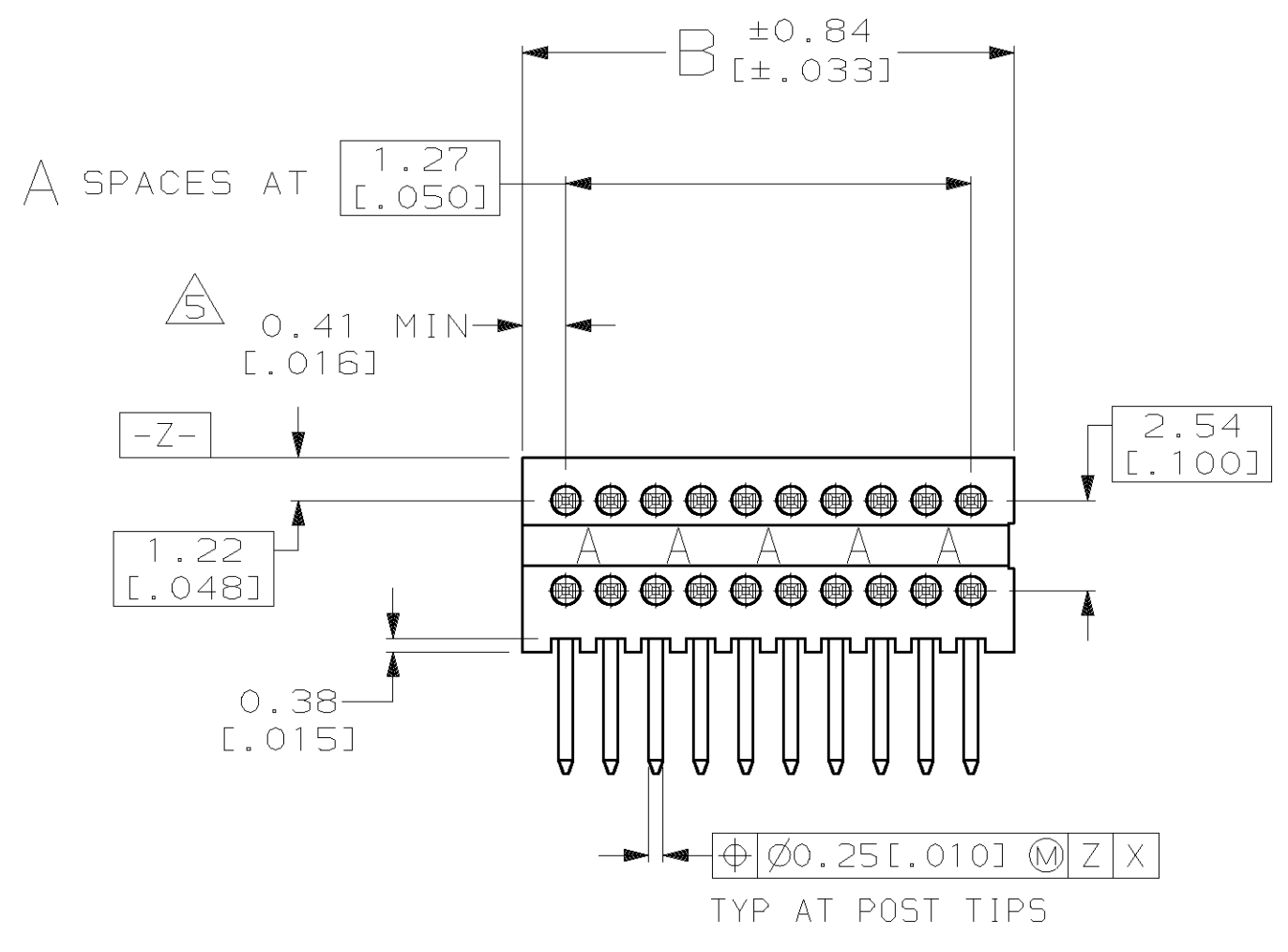
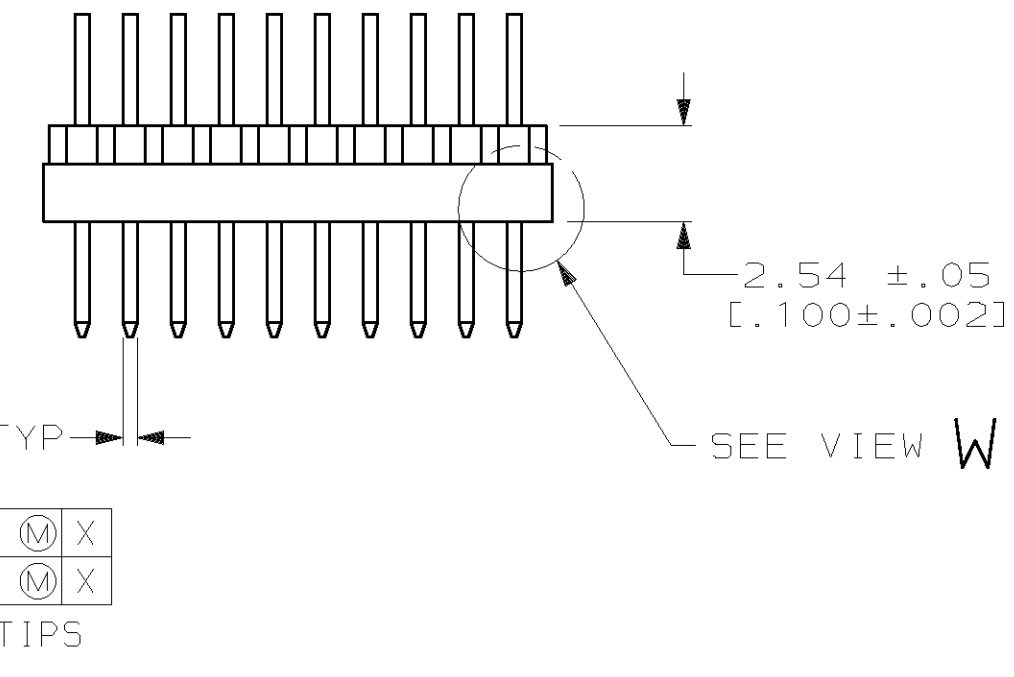
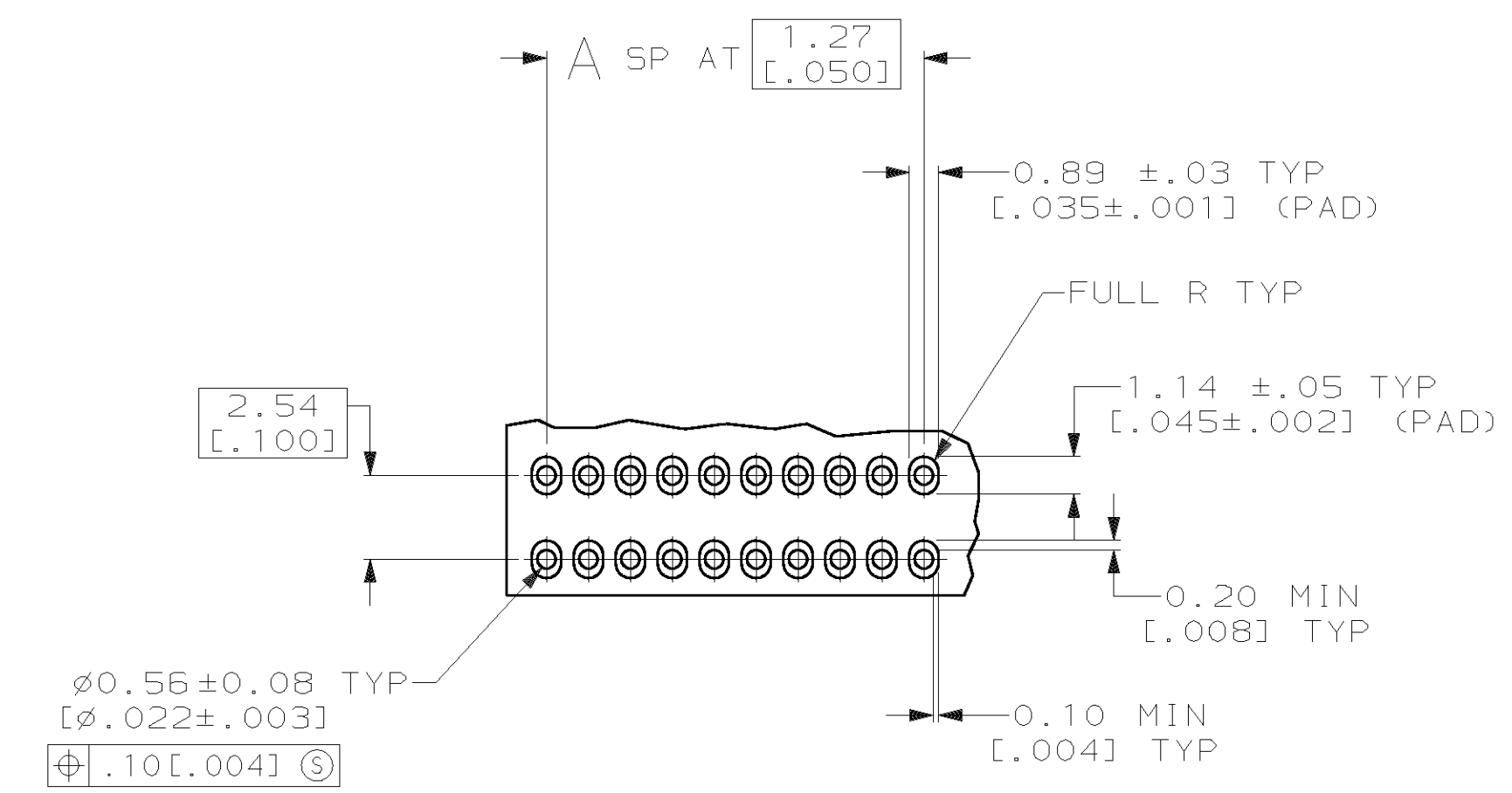


LOC		DIST		REV PER		DESCRIPTION		DATE	APPD
AD	39	P	F	H	063C-0538-04			21OCT04	JR/D5



VIEW W
SCALE 30:1

- △ FLAME REDARTANT THERMOPLASTIC, COLOR - BLACK
- △ COPPER ALLOY
- △ CONTACTS PLATED WITH .00381 [.000150] MIN TIN-LEAD; ALL OVER .00127 [.000050] MIN NICKEL
- △ POINT OF MEASUREMENT FOR PLATING THICKNESS
- △ THE NOTED DIMENSION APPLIES AT THE INTERSECTION OF THE POST AND HOUSING
- △ MAXIMUM CARRIER PROTRUSION BEYOND HOUSING.
- △ CONTACTS PLATED WITH .00381 [.000150] MIN TIN; ALL OVER .00127 [.000050] MIN NICKEL



RECOMMENDED HOLE PATTERN
FOR MANUAL INSERTION

14.35 [.565]	10	22	△ 5-104746-2
63.88 [2.515]	49	100	△ 5-104746-1
14.35 [.565]	10	22	△ 104746-2
63.88 [2.515]	49	100	△ 104746-1
B	A	NO OF POSN	PART NUMBER

DO NOT SCALE PRINT. UNLESS SPECIFIED DIMENSIONS IN mm [INCHES]		DR 10/30/90 KATE HELM		AMP AMP Incorporated Harrisburg, PA 17105-3608	
TOLERANCES ON:		CHK 10-31-90 D. GORENC		NAME	
2 PLC DEC ± .13(.005)		APPD 10-31-90 D. GORENC		HDR ASSY, AMPMODU System 50	
3 PLC DEC ± -		APPD 10-31-90 R. FELIX		RT-ANGLE, UNSHROUDED, DBL-ROW	
ANGLES ± -		PRODUCT SPEC 108-1093		SIZE	
MATERIAL		APPLICATION SPEC 114-25031		CAGE CODE 00779	
HOUSING: △		FINISH SEE TABLE		DRAWING NO 104746	
CONTACT: △		WEIGHT -		SCALE 5:1	
				SHEET 1 OF 1	

